

STL68RB

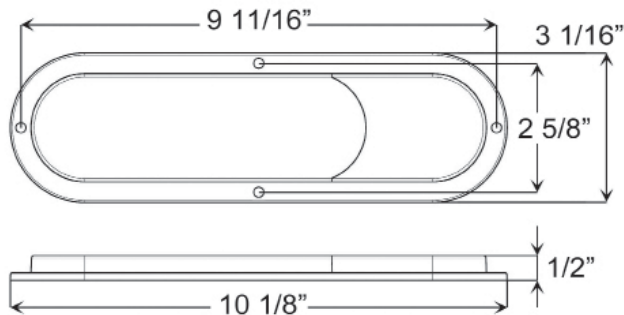
Surface Mount LED Combination Stop/Turn/Tail & Back-Up Light

- Sonically sealed, waterproof
- Low profile design—only 1/2" thick
- Surface mount on 9-11/16" centers
- Hard wired with separate ground wire

STL68RB A68SSB

Surface flange mount
Stainless steel trim ring

Pack Qty:	10
FMVSS:	STIR(2)
Diode Qty:	14
Materials:	Polycarbonate lens and housing
Volt/Amp:	12.8VDC - .35A Stop/Turn, .05A Tail, .3A Back-up
Connection:	Hard wired
Wt/Dims:	.275 lbs. / 10.125" x 3.063" x .5"
Warranty:	Lifetime LED Warranty



STL68RB with A68SSB trim ring, sold separately



STL68RB

LED LIFETIME WARRANTY
NO BULBS TO REPLACE EVER!

Scan with your mobile device to access high resolution images or view related video

